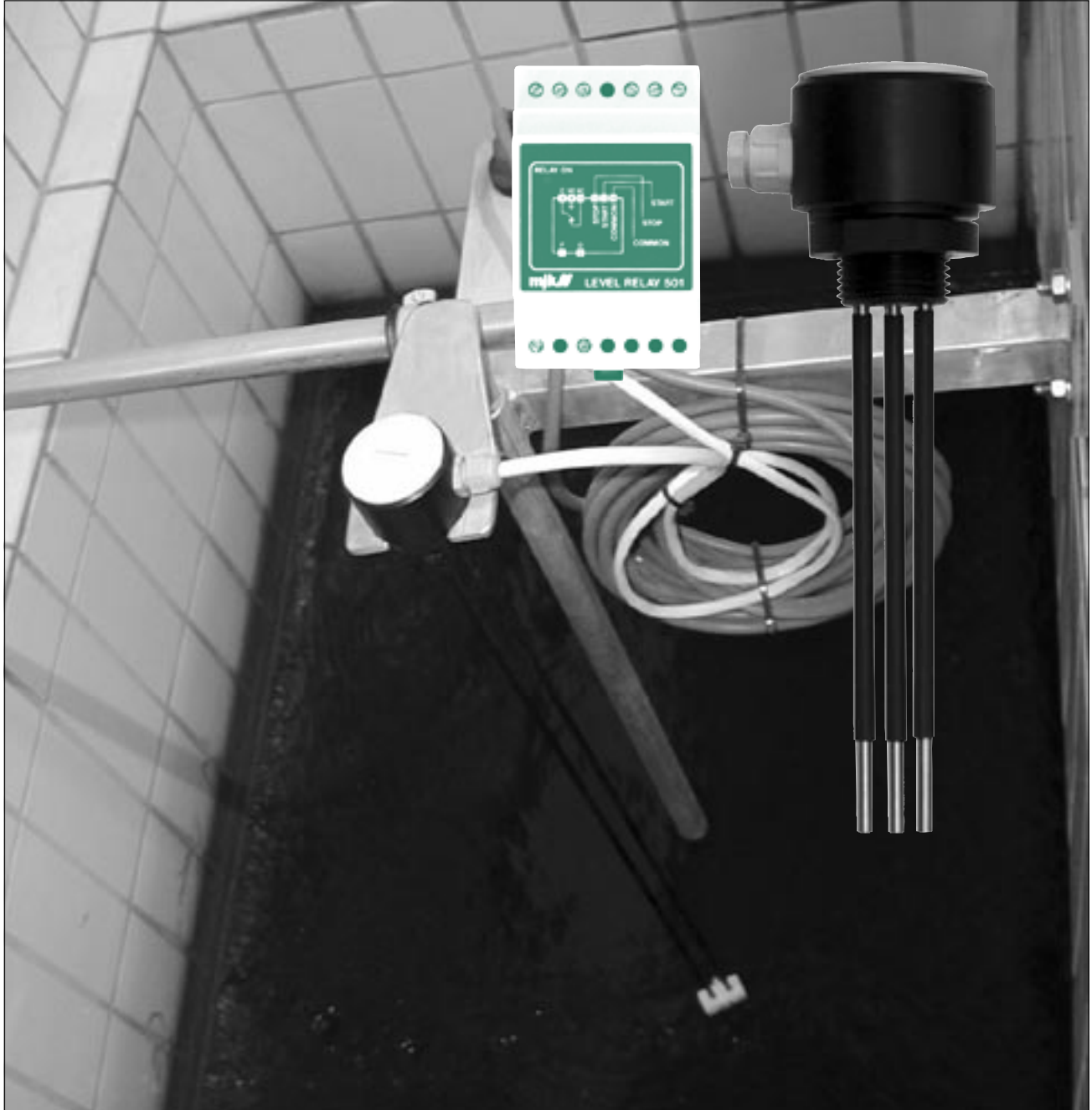


Conductivity Level Switch Model 501

1 YEAR WARRANTY

2.72

Price competitive and reliable system for control of levels.





General

The Conductivity Level Switch type 501 is a simple and price competitive system for the control of levels.
The system includes a transmitter and various level electrodes.

- A special bracket is available which can be mounted directly on the wall or in combination with MJK modular fittings.

Operation

The level switch sends an alternating voltage to the electrodes. When the liquid contacts the electrodes, the current running between these is amplified and the output relay is activated. Two electrodes can be connected to the unit for the detection of one level, or three electrodes can be connected for the

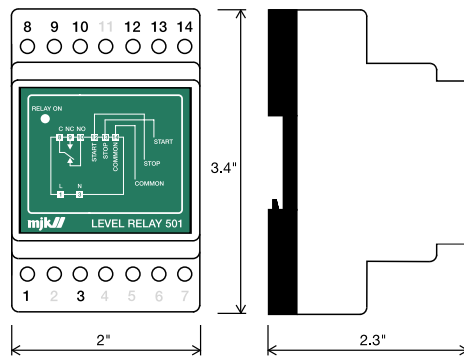
detection of two levels; one for start and one for stop. In cases where the liquid is in a conductive tank or where a metal pipe is in constant contact with the liquid, it is only necessary to use one or two electrodes.

Order numbers

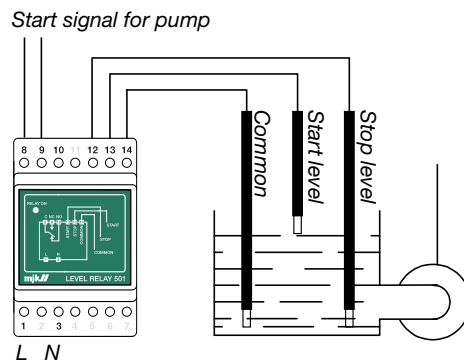
Conductivity Level Switch type 501	
Order no:	209820 202830
Mounting:	DIN rail
Power supply:	115 V AC ±10%, 12 V DC consumption approx. 4VA
Temp. range:	- 5 ... +150 °F
Materials:	Cover: Lexan Base: Noryl
CE approvals:	EN50081-1, EN50082-1
Enclosure:	NEMA 1
Sensitivity:	Min.: 100 mA Max.: 1mA
Relay output:	SPDT switch, max. 115 VAC, 4A resistive / 1A inductive load

Electrodes			
Ord.no:	202850	202860	202865 202864
Desc.:	Electrode on cable	Electrode 1 electrode	Additional electrode base w. rod 4 electrodes
Mount.:	Cable	Thread	In base bracket
(thread)		1" NPT	1" NPT
Mat.:	AISI 316/neoprene	AISI 316/POM	
Cable:	9 ft AWG13	-	-

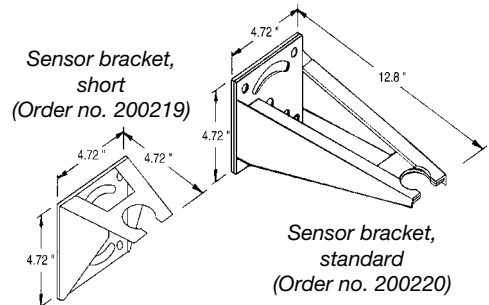
Dimensions and electrical connection



Conductivity Level Switch type 501

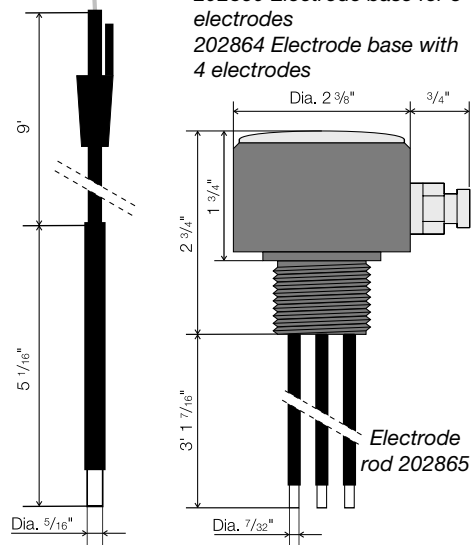


L N



Electrode 202850

202860 Electrode base for 3 electrodes
202864 Electrode base with 4 electrodes



Denmark
MJK Automation A/S
Byageren 7
DK-2850 Nærum
+45 45 56 06 56

Norway
MJK Automation AS
Prins Chr. Augusts Plass 1
N-1530 Moss
+47 69 20 60 70

The Netherlands
MJK Automation B.V.
Castricummerwerf 144
NL-1901 RS Castricum
+31 251 672171

Sweden
MJK Automation AB
Nytorget 4
SE-66123 Säffle
+46 53 31 77 50

North America
MJK North America Inc.
37 Sherwood Terrace, #126
Lake Bluff, IL 60044 U.S.A.
+1 847 482 8655

Australia
MJK Automation P/L
60 One Tree Hill RD
Ferny Creek
AUS-Victoria 3786
+61 3 9755 1529

Distributed by:

