



The Standard In High-resolution Velocity Measurements

SonTek

ADVTM Acoustic Doppler Velocimeters



16 MHz MicroADV

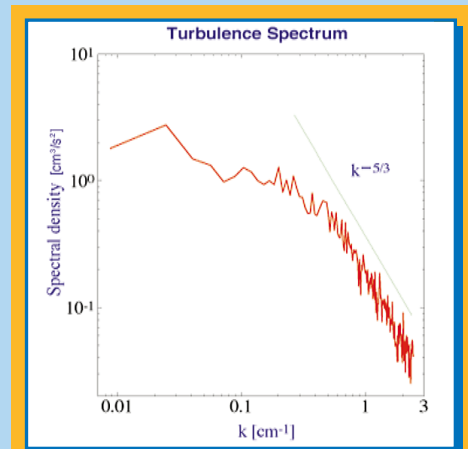
Boasting a sampling volume of less than 0.09cc and sampling rates up to 50 Hz, the MicroADV is an ideal laboratory instrument for low flow and turbulence studies.

10 MHz ADV

Available in both laboratory and field-ruggedized configurations, the ADV has proven its versatility and reliability in a wide variety of applications.

5 MHz ADV Ocean

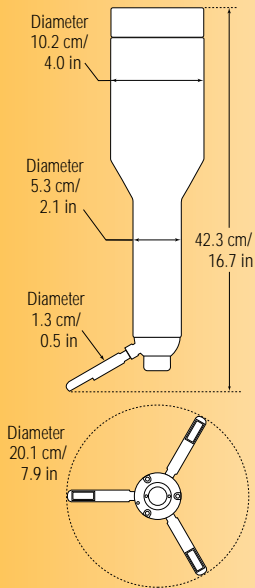
Rugged design makes the ADV Ocean the perfect instrument for deployments in extreme environments.



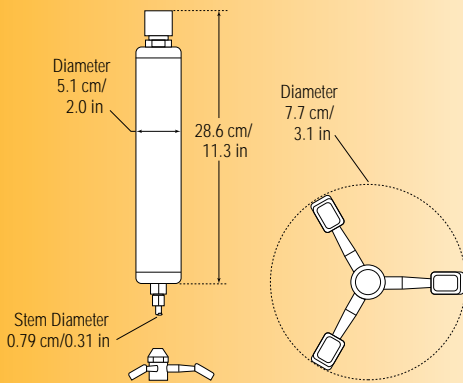
PERFORMANCE SPECIFICATIONS

SonTek

ADVTM Acoustic Doppler Velocimeters



ADV Ocean Probe



ADV/MicroADV



S E C I F I C A T I O N S

The ADV Family of Instruments

	16 MHz MicroADV	10 MHz ADV	5 MHz ADVOcean
Sampling rate (Hz)	0.1 to 50	0.1 to 25	0.1 to 25
Sampling Volume (cc)	0.09	0.25	2.0
Dist. to sampling volume (cm)	5	5 or 10	18
Resolution (cm/s)	0.01	0.01	0.01
Prog. velocity range (cm/s)	3,10,30,100,250	3,10,30,100,250	5,20,50,200,500
Accuracy	1% of measured velocity, 0.25 cm/s		
Maximum depth (m)	60	60	250 (Delrin housing) 2000 (SS Housing)

Standard Features

Lab Model

- Uses a desktop PC for power and data storage
- Sensor mounted on a 40 cm stem
- Standard cable length to PC: 10 m

Field Model

- Self-contained processor in splash-proof or underwater housing
- Sensor mounted on 25 cm stem
- Standard cable length to processor: 10 m
- Analog and serial outputs

Options

- Analog outputs for Lab models
- Analog input module for synchronizing external sensors with Lab models
- Saltwater protection package
- Rechargeable batteries for Field models
- Several probe configurations available
- Strain-gage pressure sensor - (0.1%)
- Resonant pressure transducer - (0.01%)

- Temperature sensor (0.1°C)
- Compass/tilt sensor - Heading 2°
Pitch Roll 1°

Power (Field System)

- Power Supply: 12-24 V DC
- Power Consumption: Approximately 2.5-4 W operating, less than 1 mW in sleep mode

Any of these probes can be integrated into our Hydra package

**Velocity data specifications have been verified using laboratory simulations and comparisons with other meters. Test results are available on request.*

For more information, or to receive news about our complete line of water velocity sensors, Please Call (858) 546-8327 or Visit Our Web Site: www.sontek.com

CORPORATE HEADQUARTERS

6837 Nancy Ridge Drive, Suite A
 San Diego, CA 92121
 Tel: (858) 546-8327
 Fax: (858) 546-8150
 e-mail: sales@sontek.com
 website: www.sontek.com

MADE IN U.S.A.

© 1999 SonTek
 SonTek & ADV are registered trademarks of SonTek, Inc., San Diego, CA, USA.
 Specifications subject to change without notice.
 ADV v.2 • 6/99